

# Think big

## Heavy payload robot

### M-1000iA



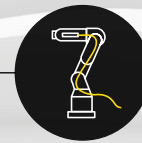
**USER INTERFACE**  
Easy integration of services on arm J3



**SMOOTH SERIAL LINK DESIGN**  
Serial link instead of parallel link supports backflip operation on axis J3 for more flexibility and easy integration



**STRONG WRIST**  
Compact design combined with high payload, moment and inertia



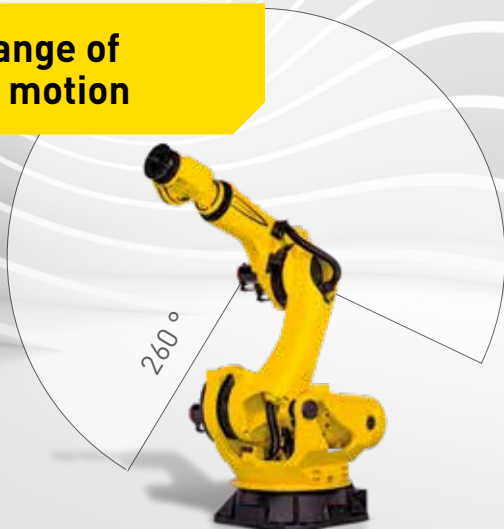
**CLEAN DESIGN**  
Clean robot design minimises interference with peripheral devices



**EXCELLENT WEIGHT / PAYLOAD RATIO**  
5300 kg weight vs. 1000 kg payload



## Wide range of J3 arm motion



### Biggest serial link robot in FANUC line-up:

- highly suitable for heavy part handling (e.g. EV battery), heavy palletising or packaging and material handling operations
- high payload capacity of 1000 kg  
horizontal reach: 3253 mm  
vertical reach: 4297 mm
- IP54 at body, IP67 at wrist prepare the robot for all kind of application.
- supports wrist inertia of 840 kgm<sup>2</sup> and wrist moment 5800 Nm

# M-1000iA



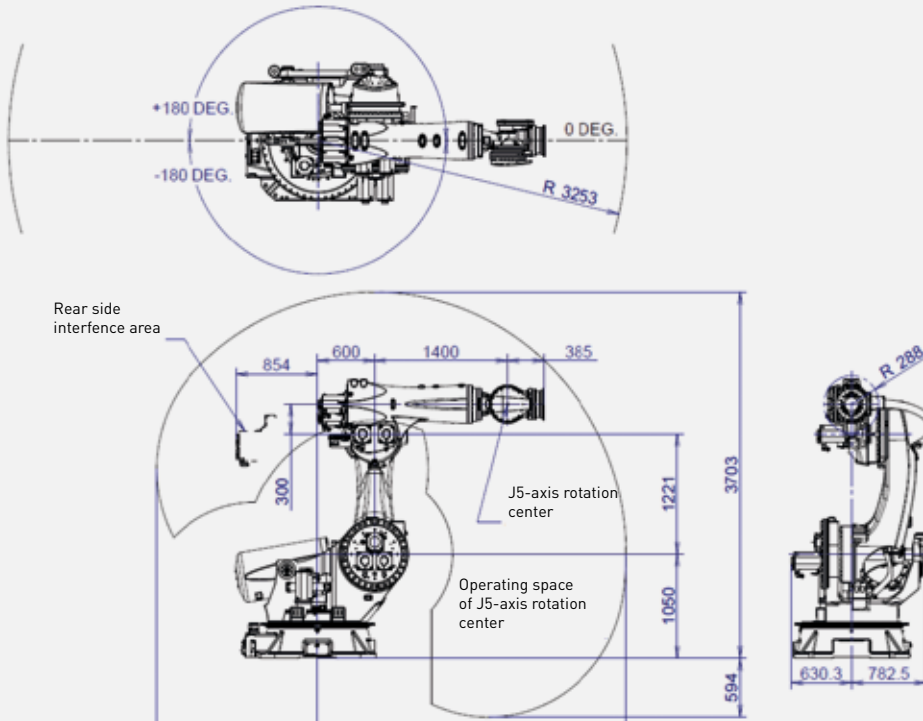
Max. load capacity  
at wrist:  
**1000 kg**



Max. reach:  
**3253 mm**

Controlled axes	Repeatability (mm)	Mechanical weight (kg)	Motion range (°)						Maximum speed (°/s)						J4 Moment/ Inertia (Nm/kgm <sup>2</sup> )	J5 Moment/ Inertia (Nm/kgm <sup>2</sup> )	J6 Moment/ Inertia (Nm/kgm <sup>2</sup> )
			J1	J2	J3	J4	J5	J6	J1	J2	J3	J4	J5	J6			
6	± 0.1	5300	330	145	260	720	240	720	60	50	50	70	70	85	8800/1750	8800/1750	5800/840

## Working range



### Robot

	M-1000iA
Robot footprint [mm]	1350 x 1210
Mounting position Floor	●
Mounting position Upside down	-
Mounting position Angle	-



### Controller

	R-30iB Plus
Open air cabinet	-
Mate cabinet	-
A-cabinet	●
B-cabinet	○
iPendant Touch	●

### Electrical connections

Voltage 50/60Hz 3phase [V]	●
Voltage 50/60Hz 1phase [V]	380-575
Average power consumption [kW]	8

### Integrated services

Integrated signals on upper arm In/Out	8/8
Integrated air supply	2

### Environment

Acoustic noise level [dB]	-
Ambient temperature [° C]	0-45

### Protection

Body standard/optional	IP54
Wrist & J3 arm standard/optional	IP67

● standard ○ on request - not available ( ) with hardware and/or software option